

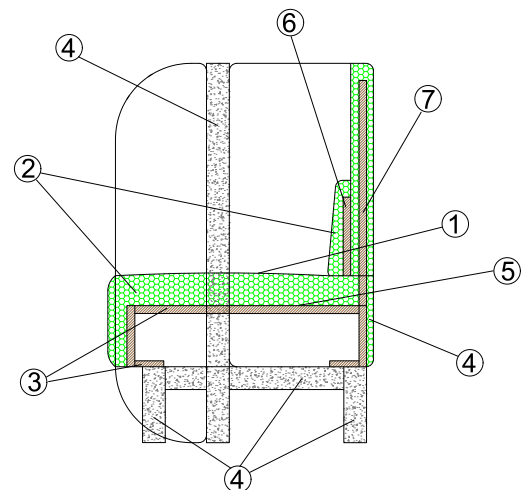
# BIGALA

DESIGN **ROBERTO GIACOMUCCI**

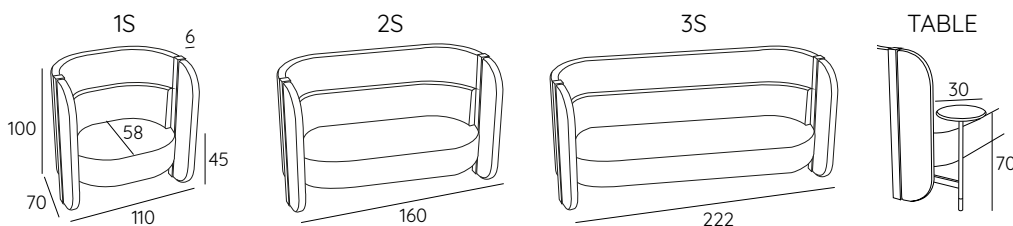


Bigala arises from a reflection on the boundary between inside and outside, between function and evasion, between privacy and openness, and enhances the role of upholstered furnishings as increasingly versatile elements in domestic and public living environments that are meant to host a universe of people relating with each other in many ways. Whether to cocoon a long, well-deserved relaxing break or to welcome company for an informal meeting,

- 1 - dacron® fiber 100 gr;
- 2 - high resilience polyurethane foam of different densities;
- 3 - structural frame in plywood;
- 4 - structure in varnished iron;
- 5 - elastic webbing;
- 6 - structural frame in wooden multiflex;
- 7 - structural frame in wooden multiflex and plywood.



## DIMENSIONS:



## STRUCTURE:



## STRUCTURE AND TABLE COLOR:



# BIGALA

DESIGN **ROBERTO GIACOMUCCI**

## DEVICES:

### USB



Two USB socket.  
Power supply 230 V.  
Different voltage upon request.

### SCHUKO

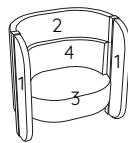


Schuko socket.  
Power supply 230 V.  
UK and USA plug on demand.

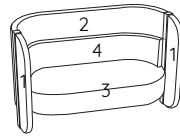
## TECHNICAL DETAILS:

Removable cover: NO	kg	m <sup>3</sup>	mts
BIGALA 1S	/	0.68	(1) 2.50 (2) 6.00 (3) 5.00 (4) 2.50
BIGALA 2S	/	1.12	(1) 2.50 (2) 7.00 (3) 6.00 (4) 3.50
BIGALA 3S	/	1.55	(1) 2.50 (2) 8.00 (3) 7.00 (4) 4.50

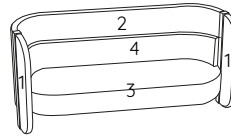
### 1S



### 2S



### 3S



## SUGGESTED FABRICS:



## PHOTO GALLERY:



Bigala armchair



Bigala 3 seater sofa with table