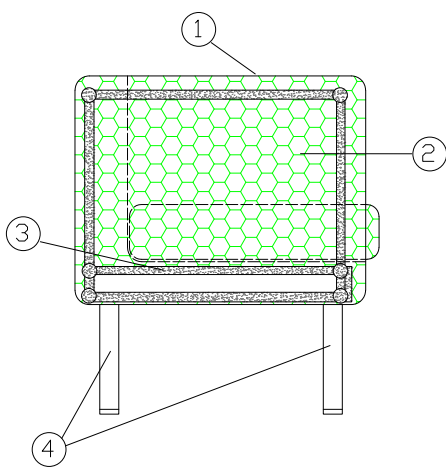


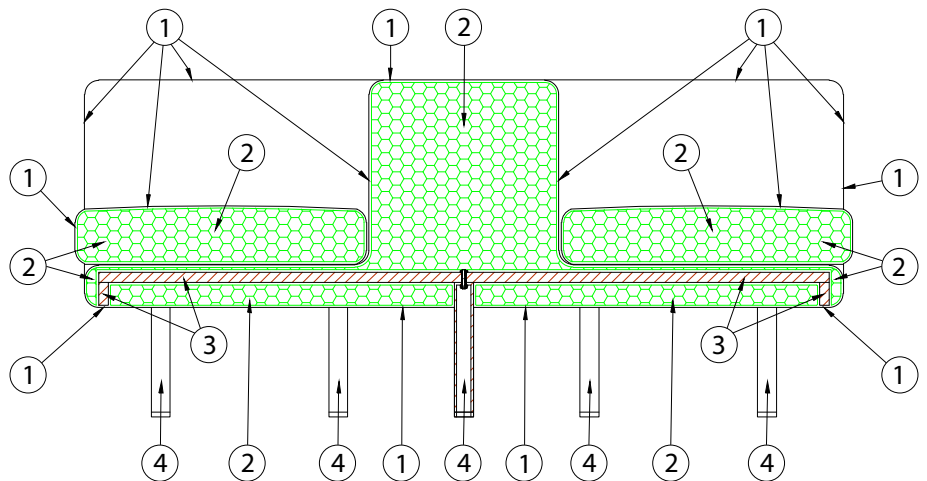


From a basic geometric shape Otto is born an innovative, dynamic and functional collection. The strength of Otto is the simplicity of forms and the ability to fit into the environment by fulfilling it. A very precise seating function for waiting outside the box.



OTTO 1S-2S:

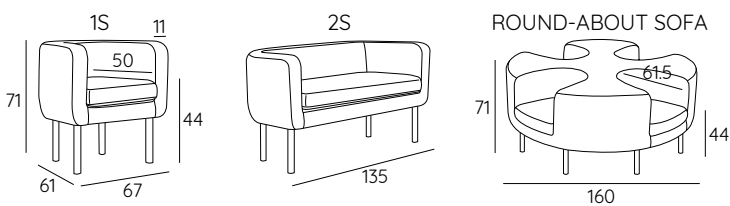
- 1 - dacron® fiber 100 gr;
- 2 - high resilience polyurethane foam of different densities;
- 3 - structural frame in tubular metal;
- 4 - chrome metal legs.



OTTO ROUND-ABOUT SOFA:

- 1 - dacron® fiber 100 gr;
- 2 - high resilience polyurethane foam of different densities;
- 3 - structural frame in solid firwood;
- 4 - chrome metal legs.

DIMENSIONS:



LEGS:

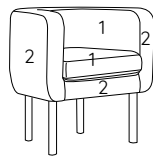
h 23



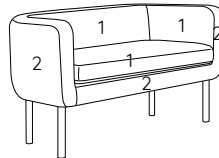
TECHNICAL DETAILS:

Removable cover: NO	kg	m ³	mts
OTTO 1S	13	0.30	(1)2.10 (2)1.30 (3)1.30
OTTO 2S	23	0.58	(1)4.50 (2)2.50 (3)2.50
OTTO ROUND-ABOUT SOFA	59	1.82	(1)8.50 (2)5.50 (3)5.00

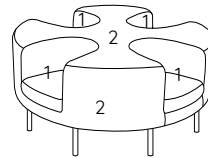
1S



2S



Round-about sofa



SUGGESTED FABRICS:



PHOTO GALLERY:



Otto armchair



Otto sofa



Otto round-about sofa