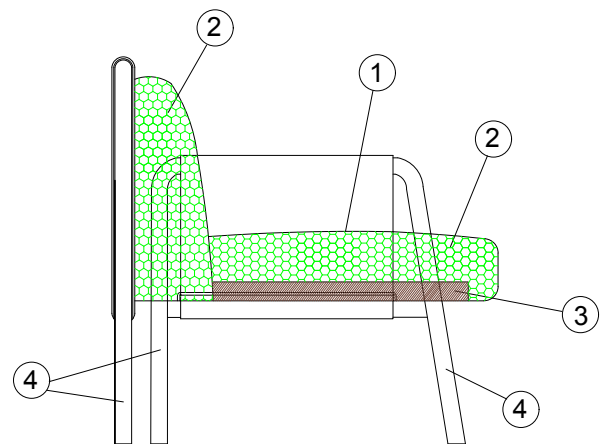


DESIGN DEBONADEMEO

# SWING

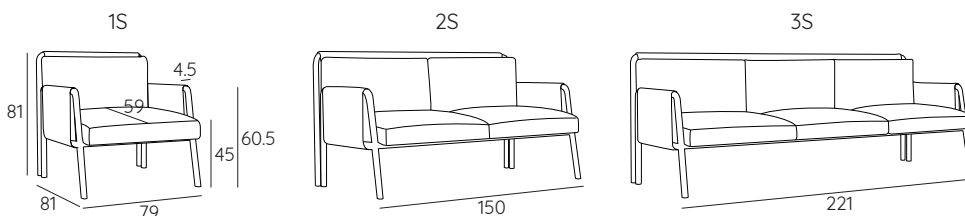


It is a collection of sofas and armchairs that mixes historical reminiscences with an innovative design. The rigidity of the structure is accompanied by the softness of the padding, the coldness of the metals is dressed and heated by means of the fabrics. The fabrics themselves that change and combine according to use. At first glance an apparently rigorous and composed design appears, but as soon as you sit down the sensations change and you perceive a sense of freedom, comfort, well-being. For this reason we called it swing, recalling the beauty of this English word with multiple meanings: swing like the swing that is evoked by the structure of the sofa on which the seats seem to hang swing like the rhythm that is perceived at first glance seeing the alternation of full and empty, straight and curved lines, vertical and horizontal swing like the typical dance of the 20s and 30s whose fluctuating trend and dynamism seems to review.



- 1 - dacron® fiber 100 gr;
- 2 - high resilience polyurethane foam of different densities;
- 3 - structural frame in iron;
- 4 - laquered tubular base in iron.

## DIMENSIONS:



## BASES:



## COLOR BASE:

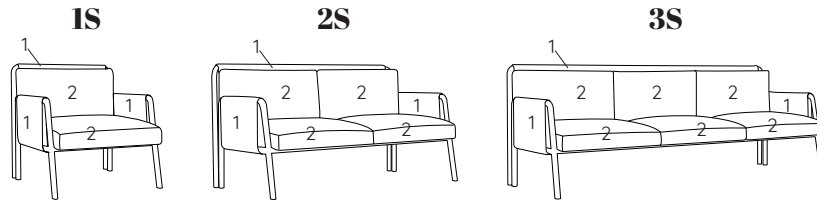


# SWING

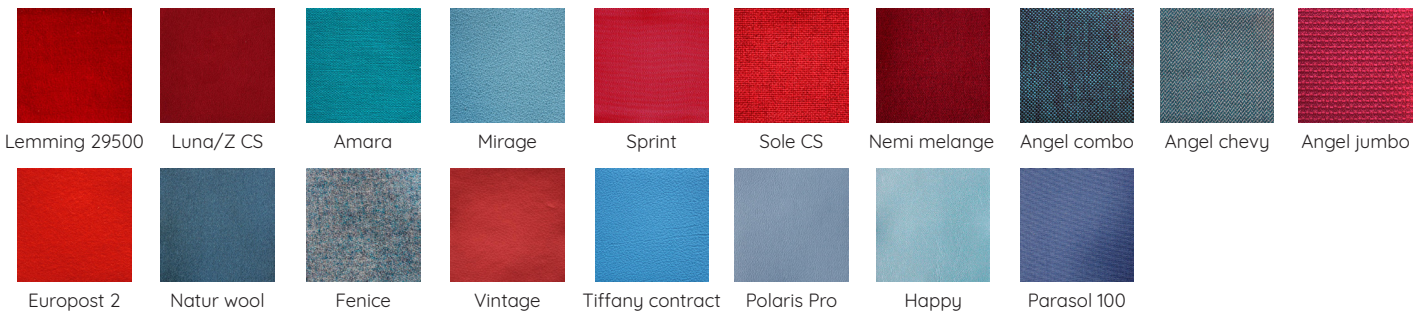
DESIGN **DEBONADEMEO**

## TECHNICAL DETAILS:

Removable cover: NO	kg	m <sup>3</sup>	mts
SWING 1S	/	0.77	(1) 2.40 (2) 2.20
SWING 2S	/	1.31	(1) 4.80 (2) 4.30
SWING 3S	/	1.75	(1) 4.90 (2) 6.50



## SUGGESTED FABRICS:



## PHOTO GALLERY:



Swing armchair



Swing 2 seater sofa



Swing 3 seater sofa