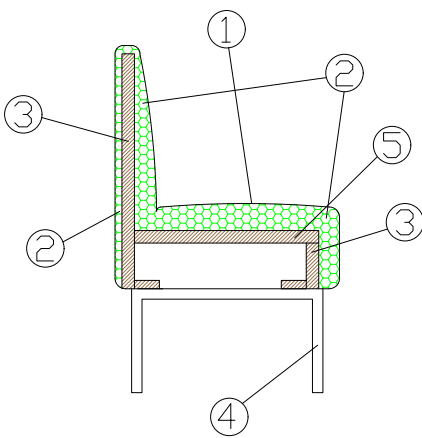




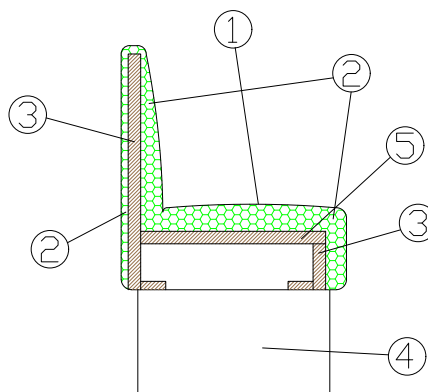
LIZZY 2



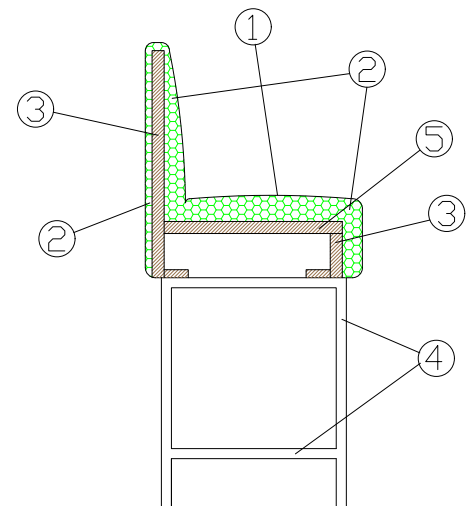
Lizzy 2 is a modular, padded seating system that can be easily customized. The Lizzy 2 collection of benches and sofas features plated chrome or powder coated metal legs, laminate plinths that can be equipped with recharging sockets or a high base in plated chrome or powder coated metal, equipped with a footrest.



LIZZY 2 LEGS VERSION



LIZZY 2 PLINTH VERSION

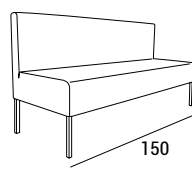
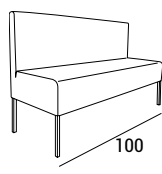
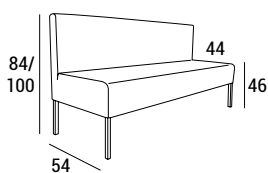


LIZZY 2 HIGH VERSION

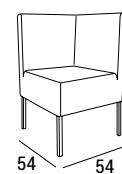
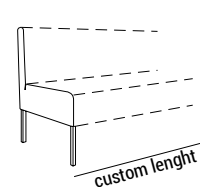
- 1 - dacron® fiber 100 gr;
- 2 - high resiliency polyurethane foam of different densities;
- 3 - structural frame in plywood;
- 4 - square chrome metal leg-base/plinth in laminated plywood;
- 5 - reinforcement structure in multilayer wood.

DIMENSIONS

Legs



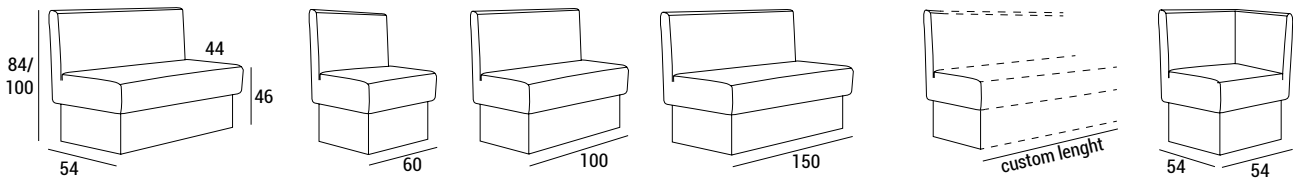
LINEAR METER



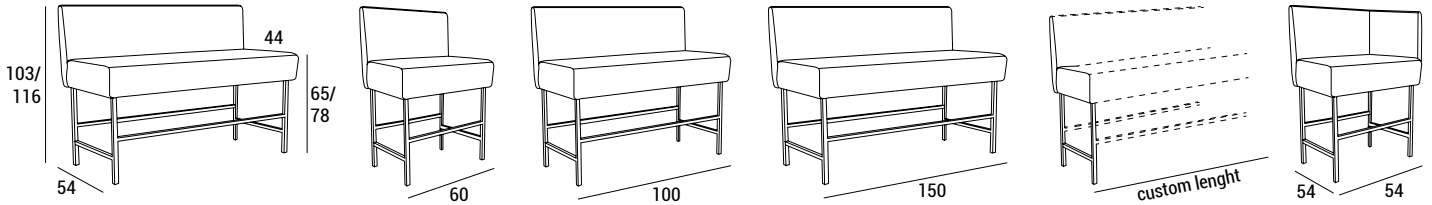


LIZZY 2

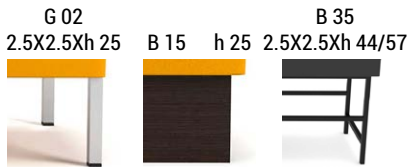
Base



High

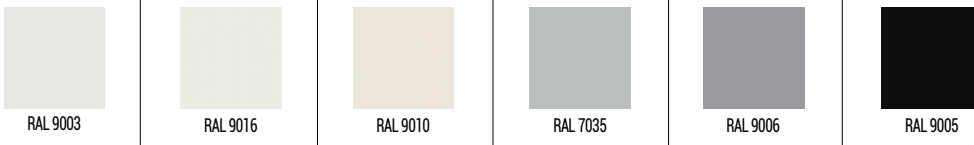


LEGS AND PLINTH



METAL LEG-BASE FINISHINGS

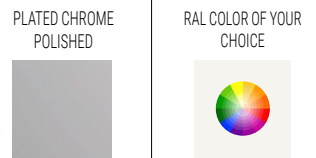
Standard



Optional leg



Optional high base



LAMINATE FINISHINGS

Standard



Optional





LIZZY 2

PLUGS ONLY IN THE PLINTH

PIX-SCHUKO



1 x Schuko.
Power supply 230 V.
UK and USA plug on demand.

PIX-USB



2 x USB A.
Power supply 230 V.
Different voltage upon request.

PICK



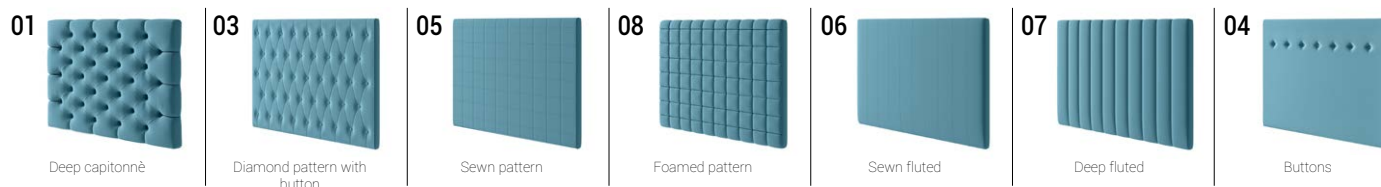
PICK-2A= 2 x USB A
PICK-AC= 1 x USB A + 1 x USB C
Power supply 110-240 V AC.
Colors: matt black, matt white and stainless steel.

HIT



1 x Schuko + 2 x USB A.
Power supply 110-250 V AC.
UK, FRENCH and USA plug on demand.
Colors: black, white and stainless steel.

BACKREST FINISHINGS



TECHNICAL DETAILS

			fabric mtl H 140 cm	leather m ²
LIZZY 2 84 TB LINEAR METER SOFA	23	0.62	3.00	5.58
LIZZY 2 84 LM LINEAR METER SOFA	26	0.43	3.00	5.58
LIZZY 2 HIGH TB LINEAR METER SOFA	23	0.45	3.00	5.58
LIZZY 2 84 TB L 60	13	0.27	2.00	3.72
LIZZY 2 84 LM L 60	16	0.27	2.00	3.72
LIZZY 2 HIGH L 60	15	0.38	2.00	3.72
LIZZY 2 84 TB L 100	21	0.45	3.00	5.58
LIZZY 2 84 LM L 100	26	0.45	3.00	5.58
LIZZY 2 HIGH TB L 100	23	0.63	3.00	5.58
LIZZY 2 84 TB L 150	33	0.68	4.00	7.44
LIZZY 2 84 LM L 150	39	0.68	4.00	7.44
LIZZY 2 HIGH TB L 150	35	0.94	4.00	7.44
LIZZY 2 84 TB CORNER	13	0.27	3.00	5.58
LIZZY 2 84 LM CORNER	16	0.27	3.00	5.58
LIZZY 2 HIGH TB CORNER	15	0.34	3.00	5.58
LIZZY 2 100 TB LINEAR METER SOFA	27.5	0.67	3.30	6.14
LIZZY 2 100 LM LINEAR METER SOFA	29.5	0.48	3.30	6.14
LIZZY 2 100 TB L 60	15.5	0.32	2.20	4.09
LIZZY 2 100 LM L 60	18.5	0.32	2.20	4.09
LIZZY 2 100 TB L 100	25	0.54	3.30	6.14
LIZZY 2 100 LM L 100	29	0.54	3.30	6.14
LIZZY 2 100 TB L 150	39.5	0.81	4.70	8.74
LIZZY 2 100 LM L 150	43.5	0.81	4.70	8.74
LIZZY 2 100 TB CORNER	15.5	0.29	3.40	6.32
LIZZY 2 100 LM CORNER	18.5	0.29	3.40	6.32



LIZZY 2

PHOTO GALLERY



Lizzy 2 legs version



Lizzy 2 laminate version



Lizzy 2 high version