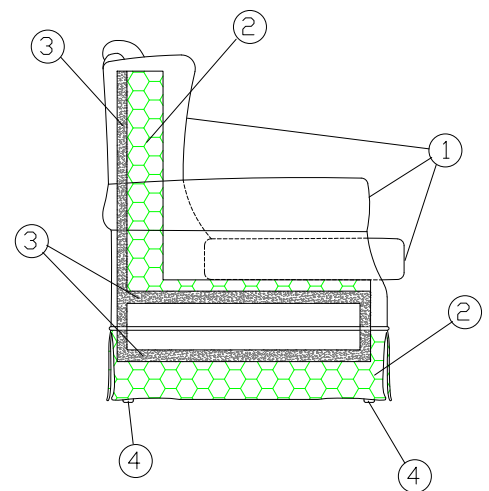
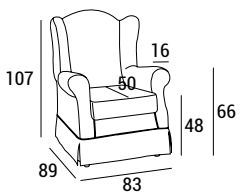




- 1 - dacron® fiber 100 gr;
- 2 - high resilience foamed polyurethane;
- 3 - structural frame in metal;
- 4 - beechwood feet.



DIMENSIONS:



FEET:

h 11



TECHNICAL DETAILS:

Removable cover. NO	kg	m ³	mts
200	19	0.79	4.80

WOODEN LEGS FINISHINGS:

