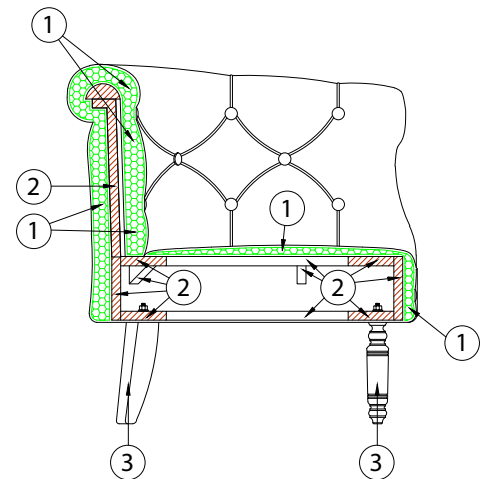
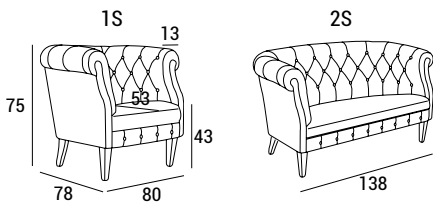




- 1 - high resilience foamed polyurethane;
- 2 - structural frame in solid poplar or fir and chipboard;
- 3 - beechwood legs.



DIMENSIONS:



LEGS:

h 23



WOODEN LEGS FINISHINGS:



TECHNICAL DETAILS:

Removable cover: NO	kg	m ³	mts
203 1S	15	0.47	5.00
203 2S	24	0.81	7.00

PHOTO GALLERY:

203 armchair



203 sofa

