



CHIONE

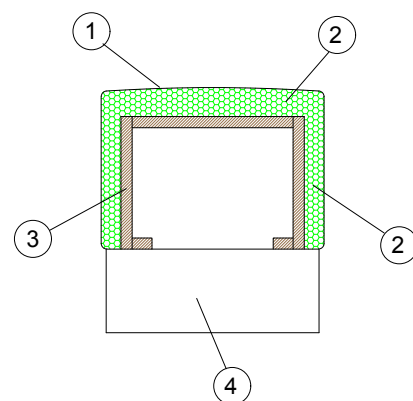


Chione: and outline that high-end interior design is very keen on. It can be customized with an endless variety of upholstery fabrics and leather and combined with a wide range of laminated plinths.

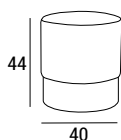
- 1 - dacron® fiber 100 gr;
- 2 - high resilience polyurethane foam of different densities;
- 3 - structural frame in plywood, fir wood and composite wood;
- 4 - plinth in laminated plywood.

ENVIRONMENTAL SUSTAINABILITY

E1 plywood, fir wood and composite wood frame featuring low formaldehyde emission. Resins and adhesives free of ozone-depleting substances, CFCs and chlorinated solvents. All the materials are in compliance with EU 91/156 regulations on waste disposal.



DIMENSIONS



PLINTH

h 15





CHIONE

LAMINATE FINISHINGS



ARPA 0003



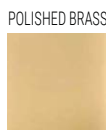
ARPA 0211



ARPA 0509



WENGÈ
ARPA 4485 GHI



POLISHED BRASS
ARPA 2006 LUC



SATIN GOLDEN ALUMINIUM
ARPA 2003 SAT

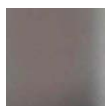


SATIN ALUMINIUM
ARPA 2000 SAT



COTTON GUNMETAL
ARPA 2007 CT

SATIN ALU STEEL



ARPA 2012 SAT

SATIN COPPER CA



ARPA 2008 SAT

TECHNICAL DETAILS



fabric
mtl H 140 cm



leather
m²

CHIONE

6

0.08

1.30 1 pc / 0.60 > 2 pcs each

2.42