

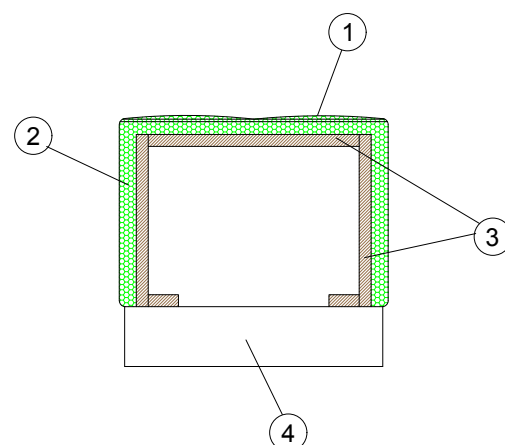


Eos is a series of square and round poufs with several dimensions. Its distinguishing element is the piping that outlines the contours on the seat and a button in the middle of the seat. The laminated wood base is available in seven different choices of color.

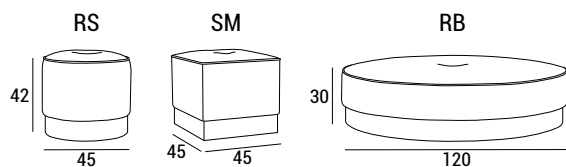
- 1 - dacron® fiber 100 gr;
- 2 - high resilience polyurethane foam of different densities;
- 3 - structural frame in plywood, fir wood and composite wood;
- 4 - plinth in laminated plywood.

#### ENVIRONMENTAL SUSTAINABILITY

E1 plywood, fir wood and composite wood frame featuring low formaldehyde emission. Resins and adhesives free of ozone-depleting substances, CFCs and chlorinated solvents. All the materials are in compliance with EU 91/156 regulations on waste disposal.



#### DIMENSIONS



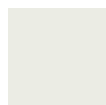
#### PLINTH

h 10





## LAMINATE FINISHINGS



ARPA 0003



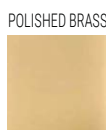
ARPA 0211



ARPA 0509



WENGÉ  
ARPA 4485 GHI



POLISHED BRASS  
ARPA 2006 LUC



SATIN GOLDEN ALUMINIUM  
ARPA 2003 SAT



SATIN ALUMINIUM  
ARPA 2000 SAT



COTTON GUNMETAL  
ARPA 2007 CT



SATIN ALU STEEL  
ARPA 2012 SAT



SATIN COPPER CA  
ARPA 2008 SAT

## TECHNICAL DETAILS



fabric  
mtl H 140 cm



leather  
m<sup>2</sup>

EOS RS	8	0.09	1.80 1 pc / 0.75 > 2 pcs each	3.35
EOS MD	9	0.09	1.30	2.42
EOS RB	38	0.45	4.40 1 pc / 2.25 > 2 pcs each	8.19