

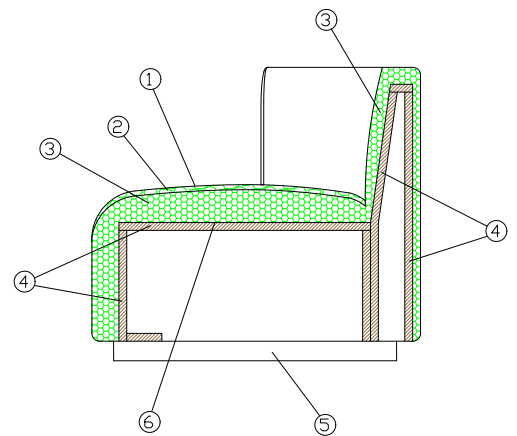
not removable
cover



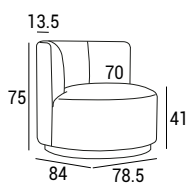
DUKE



- 1 - fabric-leather upholstery;
- 2 - dacron® fiber 100gr;
- 3 - high resilience polyurethane foam
of different densities;
- 4 - structural frame in plywood
and firwood;
- 5 - laminate wooden plinth;
- 6 - elastic webbing.



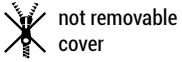
DIMENSIONS



PLINTH

P 12 h 5





DUKE

PLINTH FINISHINGS

STANDARD



ARPA 0509

OPTIONAL



ARPA 0003

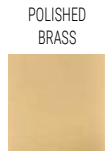


ARPA 0211



WENGÈ

ARPA 4485 GHI



POLISHED BRASS

ARPA 2006 LUC



SATIN GOLDEN ALUMINIUM

ARPA 2003 SAT



SATIN ALUMINIUM

ARPA 2000 SAT



COTTON GUNMETAL

ARPA 2007 CT



SATIN ALU STEEL

ARPA 2012 SAT

SATIN COPPER CA



ARPA 2008 SAT

TECHNICAL DETAILS

			 fabric mtl H 140 cm	 leather m ²
DUKE	25	0.51	3.50	6.51