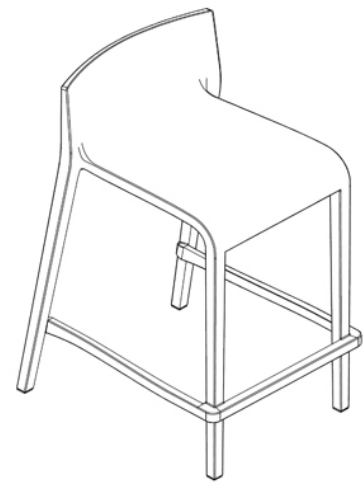
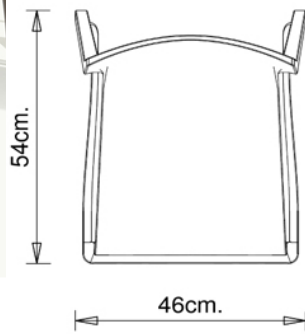
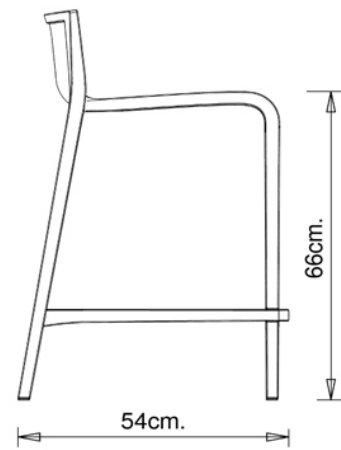
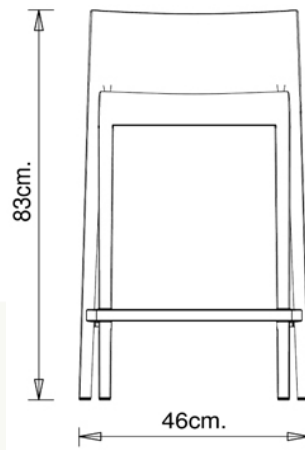


Marc Sadler

## Nassau 537B

### NASSAU COLLECTION:

Nassau 533, Nassau 533N, Nassau 533M, Nassau 534, Nassau 534N, Nassau 534M, Nassau 537B, Nassau 537, Trolley 536,



Monobloc barstool in polypropylene made using the injected air-moulding technology. Version with seat-height H 66 cm.

#### STACKABLE

5

#### WEIGHT

4,6 Kg

#### PACK

0,31 m<sup>3</sup>

#### PIECES PER BOX

2

## FINISHES SEATING

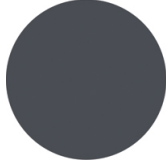
### PP POLYPROPYLENE



NCS S0500-N  
Pure white



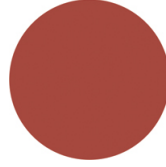
NCS S4005-Y50R Turtle-dove



NCS S7502-B  
Anthracite grey



NCS S9000-N  
Jet black





NCS S4040-R  
Marsala



## NOTE

### Resources

[3ds](#)  | [dwg](#) 

Shell in **olive green** is made of **100% recycled polypropylene** from industrial waste.

## USES

coffee & restaurants, entertainment, retail, outdoor,