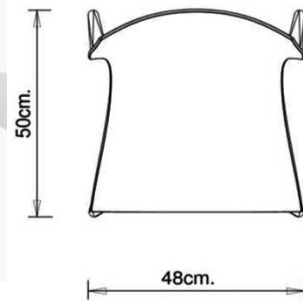
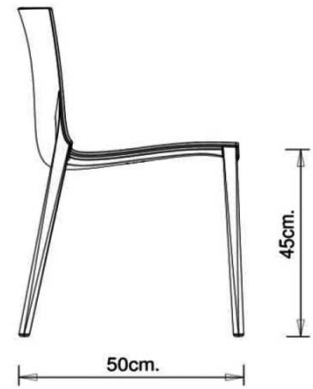
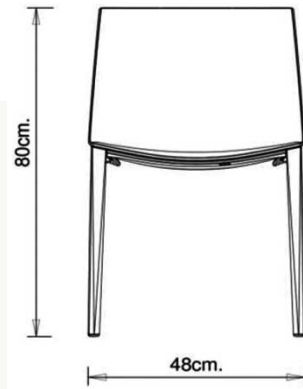


Palau 1020

PALAU COLLECTION:
Palau 1020, Palau 1021,



Monobloc chair in polypropylene made using the injected airmoulding technology.

STACKABLE

6

WEIGHT

3,8 kg

PACK

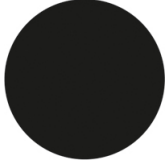
0,31 m³

PIECES PER BOX

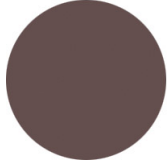
4

FINISHES SEATING

PP POLYPROPYLENE



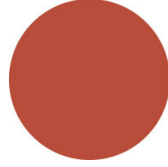
NCS S9000-N
Jet black
≡



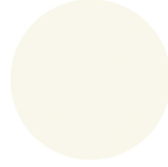
NCS S6502-R Clay
≡



NCS S7020-G50Y
Olive green
≡



NCS S3060-Y80R
Coral red
≡



NCS S0500-N
Pure white
≡



NCS S4020-B10G Dusty blue
≡

NOTE

Resources

[3ds](#)



| [dwg](#)



USES

coffee & restaurants, entertainment, travel, office and waiting areas, retail, outdoor,