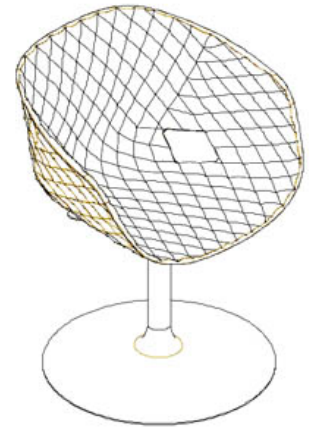
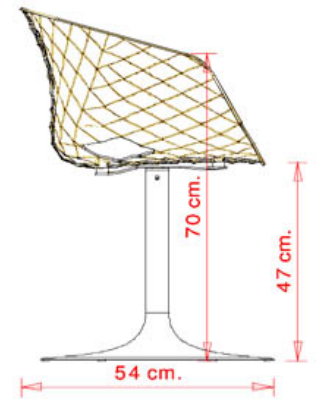
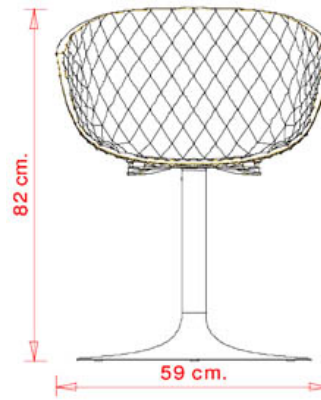


## Uni-Ka 600

### UNI-KA COLLECTION:

Uni-ka 594, Uni-Ka 594M, Uni-Ka 595, Uni-Ka 595M, Uni-Ka 596, Uni-Ka 596M, Uni-Ka 597-DP, Uni-Ka 597-DR, Uni-Ka 597M-DP, Uni-Ka 597M-DR, Uni-Ka 598, Uni-Ka 598M, Uni-Ka 599, Uni-Ka 599M, Uni-Ka 600, Uni-Ka 601, Uni-Ka 600M, Uni-Ka 601M, Uni-Ka 604M, Uni-Ka 604, Uni-ka 591 4P, Uni-ka 591M-4P, Uni-ka 591-5R, Uni-ka 591M-5R,



Swivel armchair with central steel base. Polypropylene shell.

#### WEIGHT

10,6 kg

#### PACK

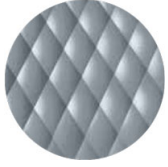
0,34 m<sup>3</sup>

#### PIECES PER BOX

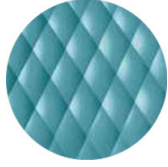
1

## FINISHES SEATING

### PP POLYPROPYLENE



NCS S4005-B20G  
Squirrel grey  
≡



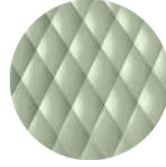
NCS S4020-B10G Dusty  
blue  
≡



NCS S6502-R Clay  
≡



NCS S4005-Y50R  
Turtle-dove  
≡



NCS S3010-G50Y  
Pistachio  
≡



NCS S7502-B  
Anthracite grey  
≡



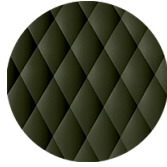
RAL 9005 Jet black  
≡



NCS S3060-Y80R  
Coral red  
≡



NCS S0502-B  
Traffic white  
≡



NCS S7020-G50Y  
Olive green  
☀

## NOTE

### Resources

3ds



dwg



Shell in **olive green** is made of **100% recycled polypropylene** from industrial waste.

## FRAMES

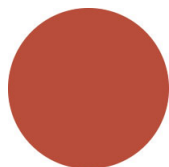
### AC STEEL



NCS S4000-N VR White aluminium



NCS S9000-N VR Jet black



NCS S3060-Y80R Coral red



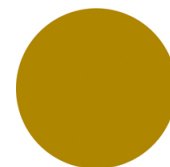
CR Chrome



NCS S9000-N VR Matt Jet Black



VR Rough metallic bronze



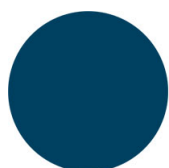
NCS S3060-Y Curry



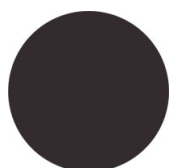
NCS S7020-G50Y Olive green



NCS S4050-B40G Water blue



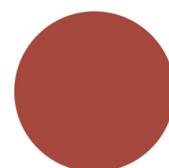
NCS S6030-B Capri blue



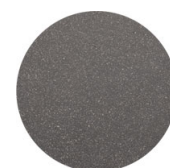
NCS S8005-Y20R Brown



NCS s0502-b VR Traffic white



NCS S4040-R Marsala



VR Pewter



NCS S0500-N VR Pure white



NCS S7502-B VR Anthracite grey



## CERTIFICATIONS

> UNI/EN 16139:2013 - Par.6. Prova 8. Prova di fatica sedile e schienale: 2-Usò estremo (21/09/16)

## USES

coffee & restaurants, hotels, educational, entertainment, travel, office and waiting areas, retail, health care,