



TEST REPORT: 4789407071.1

APPLICANT

Name: Gaber S.r.l.
Address: Via Toniolo 26
 31030 Caselle di Altivole (TV)
 Italia



Product: Tavolo Flipaway



DATE

Sample in: 21/2/2020
Tests start: 4/3/2020
Tests end: 20/3/2020
Report issue: 23/3/2020

OVERALL DIMENSIONS:

Measured:	Depth:	901 mm;	Height:	755 / 1212 mm;
	Width:	1502 mm;	Weight:	32.7 kg
Nominal:	Depth:	ND;	Height:	ND;
	Width:	ND;	Weight:	ND

Sample number 2901697; 2964295; 2964296 **Order Number:** 13267881

REFERENCE STANDARD

ANSI/BIFMA X5.5:2014 Desk/Table Products - Tests.

NOTE: On customer's request. Only the test listed in this report have been performed.

Sample defects before the test: NO VISIBLE DEFECTS

Tests have been performed on a temperature of 21 ± 3 °C

The tests have been performed on 3 samples as requested by the customer

The sample is classified as Category: I

Technician
 Giancarlo Busato

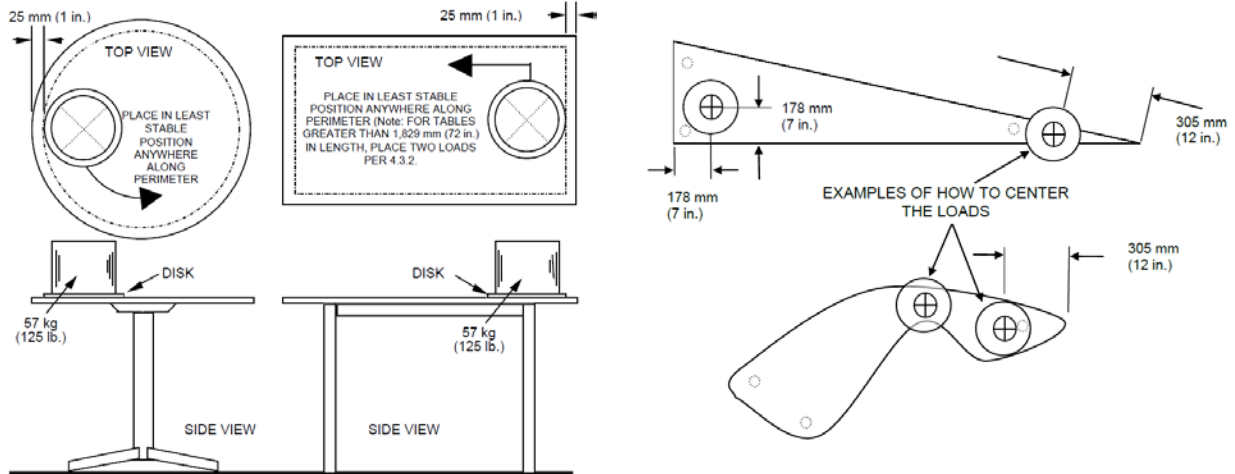
Laboratory Manager
 Matteo Longoni

*Note: any copy, even partial, of this report, and any change or alteration to it are strictly forbidden.
 The test results listed in this report are relevant only for the tested sample. Sampling performed by the customer.*

TEST REPORT: 4789407071.1

Issued on:: 23/3/2020

Stability Under Vertical Load Test ANSI/BIFMA X5.5:2014 Par. 4.3



Height from the floor: 755 mm

Distance of the load disk (305 mm diameter) center from the table edge: 178 mm

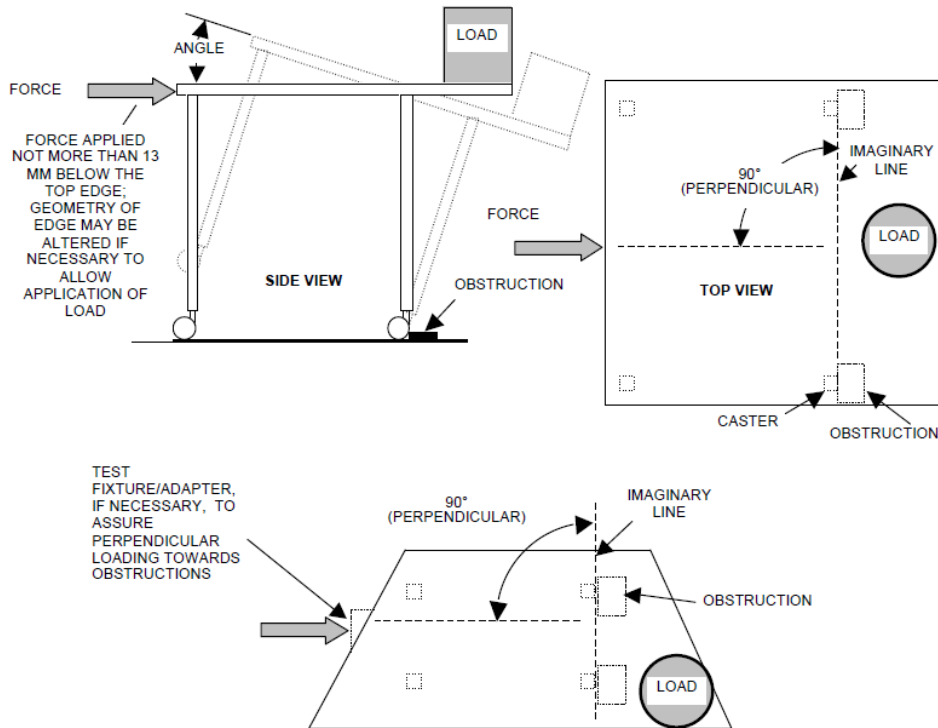
Vertical load (kg)	Rating
57	P

Note: Test performed on sample 2964295 as 1st test on this sample

TEST REPORT: 4789407071.1

Issued on:: 23/3/2020

Horizontal Stability Test for Desk/Tables with Casters ANSI/BIFMA X5.5:2014 Par. 4.4



Height from the floor: 755 mm

Distance of the load disk center from the table edge: 102 mm

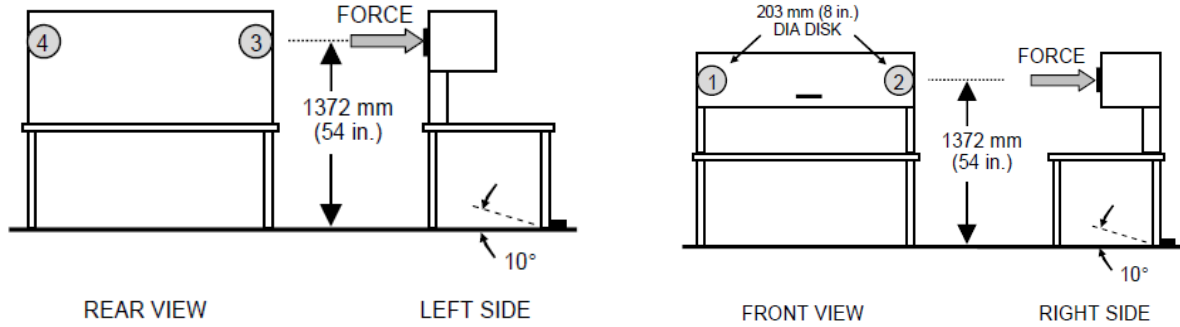
Vertical load (kg)	Horizontal force (applied with a 203 mm diameter disk) (N)	Test conclusion	Rating
11.4	44.5	Force reached	P

Note: Test performed on sample 2964295 as 2nd test on this sample

TEST REPORT: 4789407071.1

Issued on:: 23/3/2020

Force Stability Test for Tall Desk/Table Products ANSI/BIFMA X5.5:2014 Par. 4.6



Height from the floor: 1212 mm (top table in stowed position).

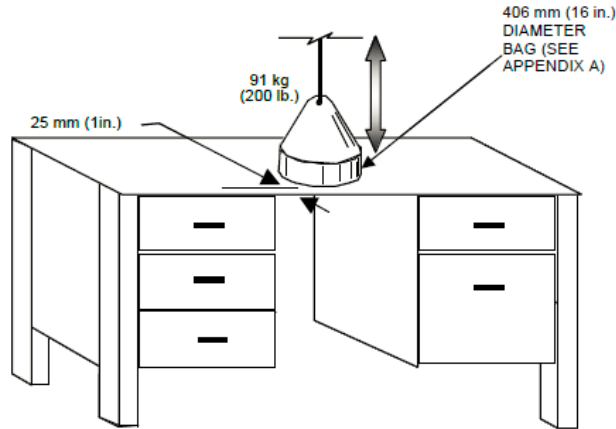
Test Point	Horizontal force (applied with a 203 mm diameter disk) (N)	Height of the force from the floor (mm)	Test conclusion	Rating
1 Front - Left	177	1110	10° tilt reached	P
2 Front - Right	177	1110	10° tilt reached	P
3 Back - Left	177	1110	10° tilt reached	P
4 Back - Right	177	1110	10° tilt reached	P

Note: Test performed on sample 2964295 as 3rd test on this sample

TEST REPORT: 4789407071.1

Issued on:: 23/3/2020

Top Load Ease Cycle Test ANSI/BIFMA X5.5:2014 Par. 6



Height from the floor: 755 mm

Distance between the bag and the edge: 25 mm

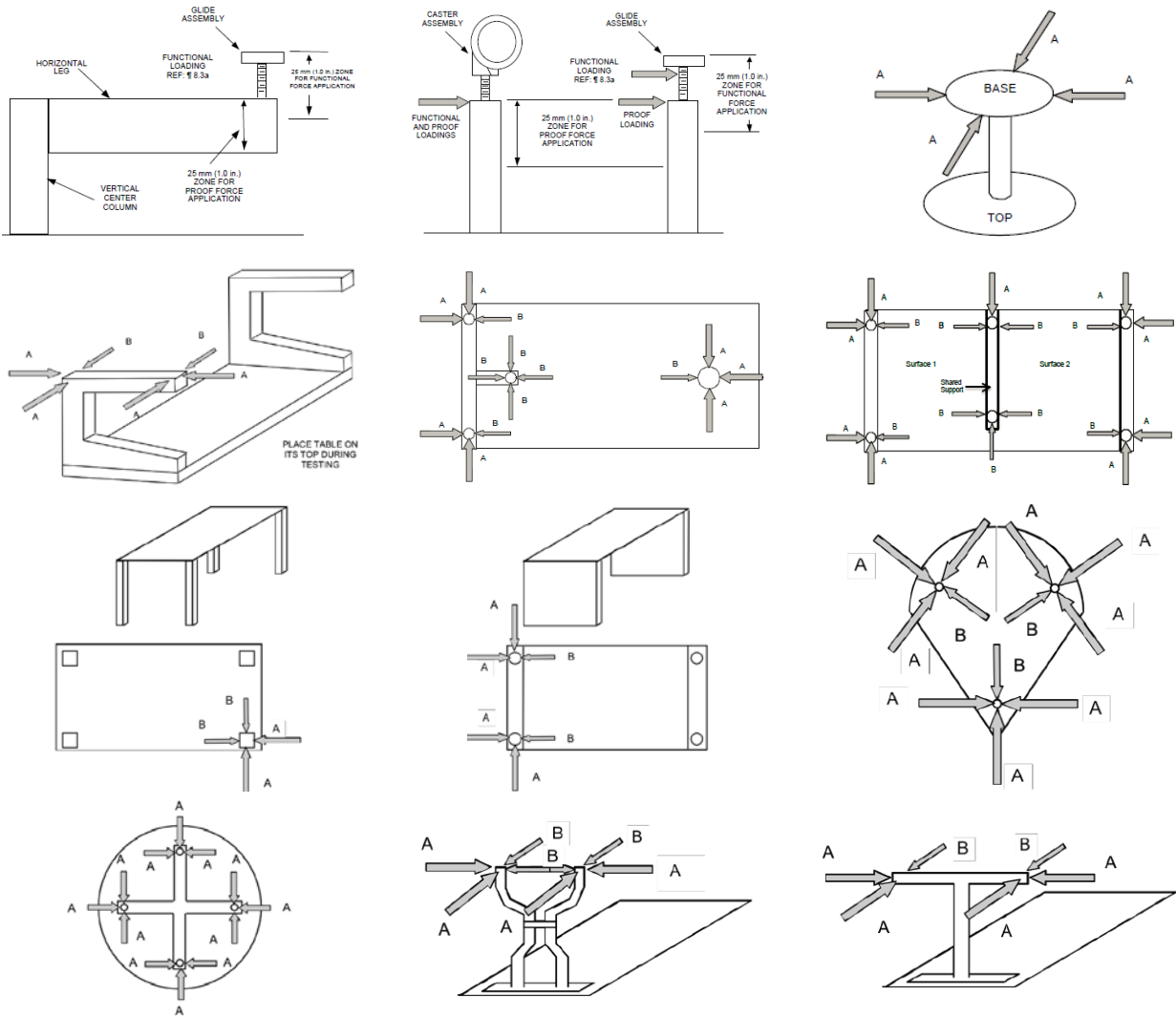
Weight the bag of test (kg)	Total load applied (kg)	N° cycles	Frequency cycles (cycles/minute)	Force required to extract the extendible elements (N)	Rating
91	-	10.000	12	-	P

Note: Test performed on sample 2964296 as 1st test on this sample

TEST REPORT: 4789407071.1

Issued on:: 23/3/2020

Leg Strength Test ANSI/BIFMA X5.5:2014 Par. 8



**TEST REPORT: 4789407071.1****Issued on:: 23/3/2020**

Distance of the load point measured from the top of the leg: 25 mm

Functional Test Procedure ANSI/BIFMA X5.5:2014 Par. 8.3

Category	Weight (kg)	Force calculation formula (Af)	Force calculated (Af) (N)	Force applied (Af) (max. 445 N) (N)	Force calculation formula (Bf)	Force applied (Bf) (N)	Force required to extract the extendible elements (N)	Rating
I	32.8	0,5 x (Weight) x 9.8 +222	382.7	382.7	0.5 x Af	191.4	-	P

Note: Test performed on sample 2964296 2nd as test on this sample**Proof Test ANSI/BIFMA X5.5:2014 Par. 8.5**

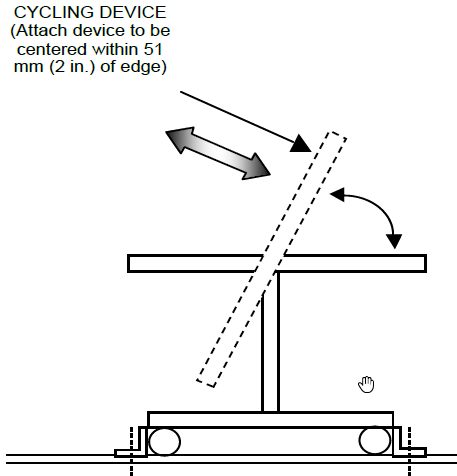
Category	Weight (kg)	Force calculation formula (Ap)	Force calculated (Ap) (N)	Force applied (Ap) (max. 668 N) (N)	Force calculation formula (Bp)	Force applied (Bp) (N)	Force required to extract the extendible elements (N)	Rating
I	32.8	1.5 x [0.5 x (Weight) x 9.8 +222]	574.1	574.1	0.5 x Ap	287.0	-	P

Note: Test performed on sample 2964296 as 3rd test on this sample

TEST REPORT: 4789407071.1

Issued on:: 23/3/2020

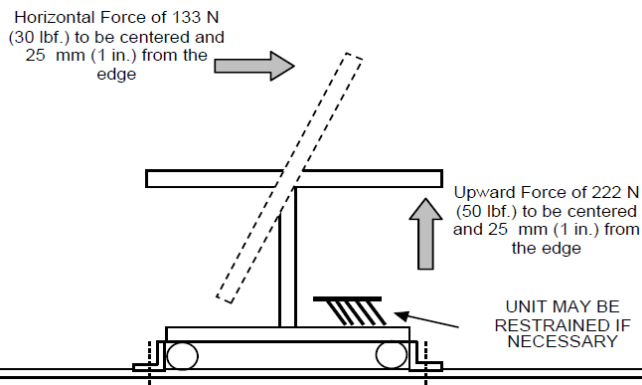
Tilting Top Table -- Cycle Test ANSI/BIFMA X5.5:2014 Par. 20



Distance between the center of cycling device and edge top (mm)	Frequency (cycles/minute)	Cycles	Rating
51	10	2.500	P

Note: One cycle consists to move the table top from its in-use position (typically its horizontal or near horizontal position) to its fully stowed position (typically vertical or near vertical) and return to in-use position. Test performed on sample 2901697 as 1st test on this sample

Tilting Top Table – Latch Strength Test ANSI/BIFMA X5.5:2014 Par. 21



Step	Distance between the center of cycling device and edge top (mm)	Force applied (N)	Direction of force	Rating
In-use position (horizontal or near-horizontal)	25	222	Upward	P
Stowed position (vertical or most upright)	25	133	To move the table top into its in-use position	P

Note: Test performed on sample 2901697 as 2nd test on this sample



TEST REPORT: 4789407071.1

Issued on:: 23/3/2020

Key:

- P** = PASS, the sample MEETS the standard requirement.
- F** = FAIL, the sample DOES NOT MEET the standard requirement.
- NA** = NON APPLICABLE, the requirement/test IS NOT APPLICABLE to the sample.
- NR** = NOT REQUESTED, On Customer request the test is NOT PERFORMED.
- NP** = General note (see details).
- ND** = NOT DECLARED.
- //** = The rating of test CANNOT BE EXPRESSED, see details in test report

END OF TEST REPORT