

SOUTHWOLD TABLE BASE

– LARGE DINING HEIGHT

DESCRIPTION

The Southwold range is a selection of classic table bases in a two height options (dining and poseur) and three base sizes (Small, Medium & Large) made from cast iron & powdercoated in black.

PRODUCT CODE

60770 - Southwold Large Dining
Black EPC Finish

WARRANTY

12 Months

SPECIFICATIONS

HEIGHT	FOOTPRINT	KG
720mm	750 Dia	33kg

TOP SIZE

1200 Dia / 1100 x 1100

MATERIAL

Cast Iron

AVAILABLE FINISH

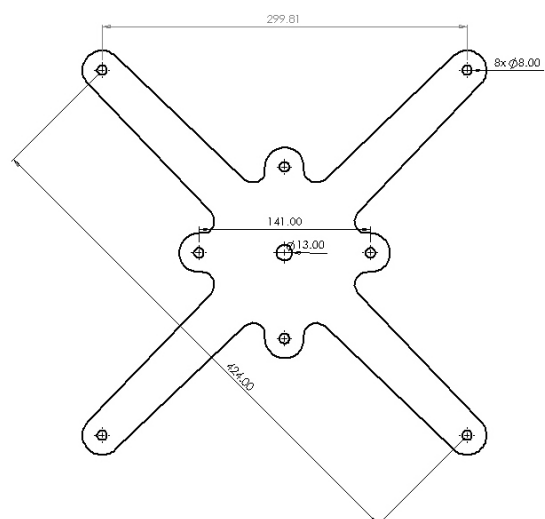
EPC Black

CLEANING INSTRUCTIONS

The best method of cleaning powder coated surfaces is simply regularly washing the surface using a solution of warm and non-abrasive, PH neutral detergent solution.

All residues must then be removed by rinsing thoroughly with clear water and wiping with a soft cloth.

All surfaces should be cleaned using a soft cloth or sponge, using nothing harsher than natural bristle brushes.



TOP CROSS DRAWING