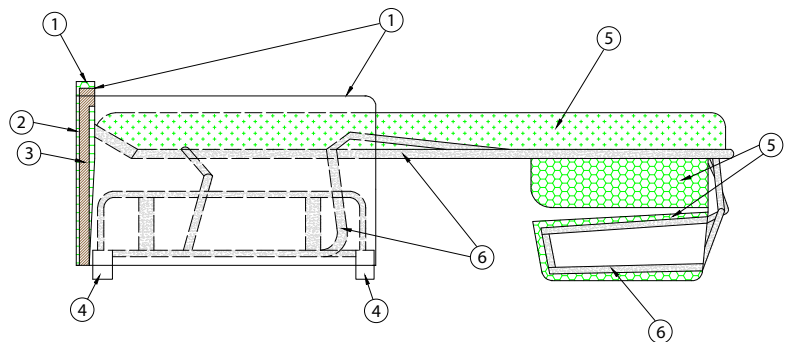
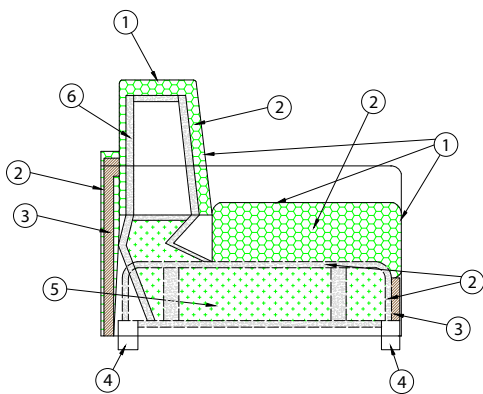




ATENA







Atena is a sleek and elegant space-saving sofa that offers comfort for both relaxing and sleeping. It can be converted into a bed with a simple move by folding down the backrest. The bed frame is stable and durable, with an electrowelded metal mesh base and a 13 cm high mattress.



- 1- dacron® fiber 100 gr;
- 2- high resiliency polyurethane foam of different densities;
- 3- structural frame in composite wood;
- 4- stained wooden feet;
- 5- fire retardant or standard polyurethane

- mattress, h 13 cm, covered with antiallergic polyester lining;
- 6- High-resistance steel electrowelded mechanism, with two-fold mechanism, which operates through traction from the backrest.

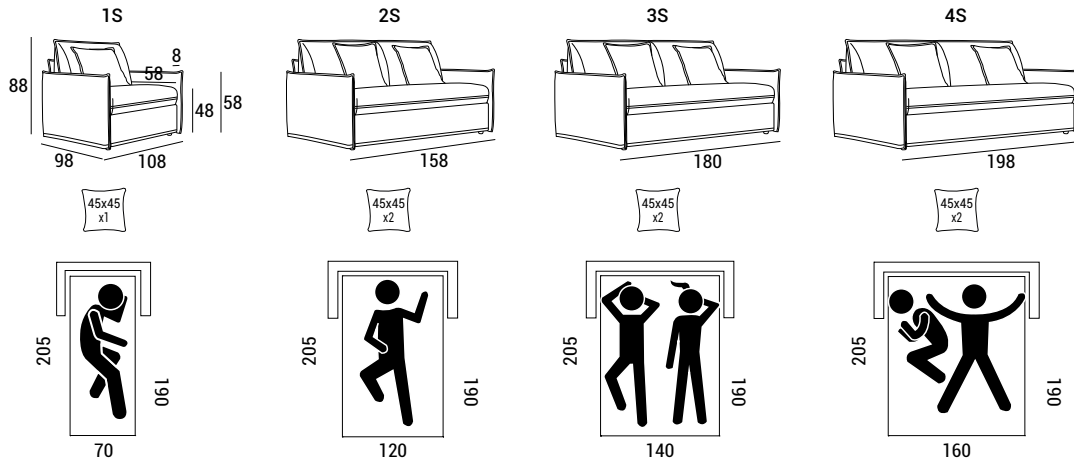
TECNICAL DETAILS

			 fabric mtl H 140 cm	 leather m ²
ATENA 1S	98	0.96	6.00	11.16
ATENA 2S	110	1.40	9.10	16.93
ATENA 3S	120	1.59	9.50	17.67
ATENA 4S	130	1.75	10.50	19.53



ATENA

DIMENSIONS



FEET

P 50 H 4.5



FEET FINISHINGS

STANDARD

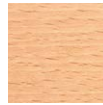
OPTIONAL

WENGÈ



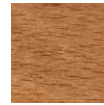
10

NATURAL



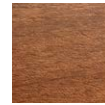
01

LIGHT WALNUT



04

WALNUT



05

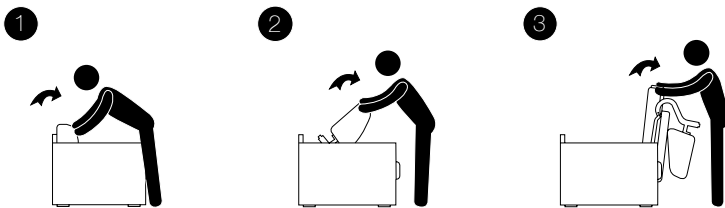
BLACK



07/20

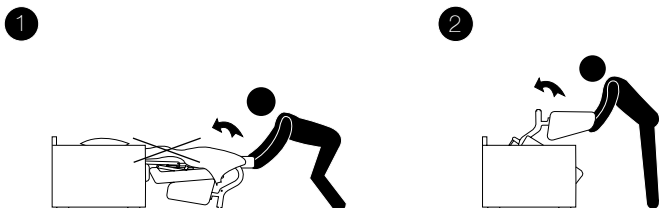
SOFA BED

Opening



Opening folding the bed incorrectly could damage the mechanism

Closing



REMOVE all sheet, blankets and pillows before folding the sofa back up to avoid breaking the mechanism