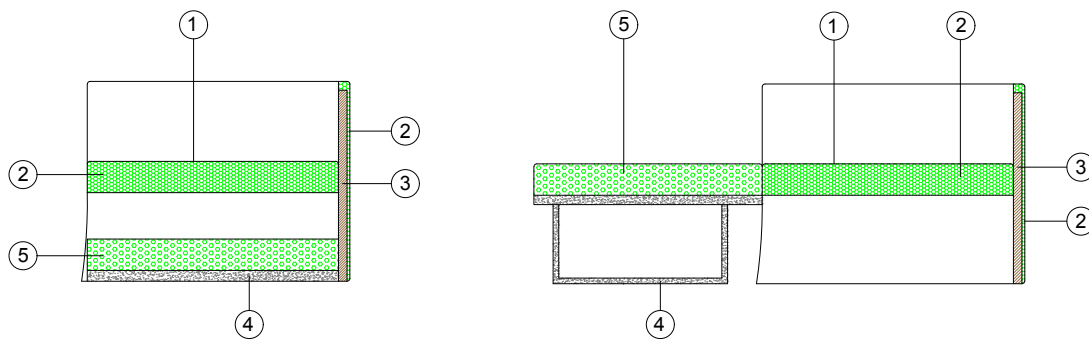




ARGO



The pull-out mechanism of the Argo sofa bed is very simple: it is hidden under the seat and can be pulled out with a few moves. Once out, it can be used on its own or combined with the bed obtained from the seat of the sofa to get a double bed.



- 1- fabric/leather;
- 2- high resiliency polyurethane foam of different densities and fibra di dacron® 100 gr layer;
- 3- structural frame in composite wood;
- 4- high-resistance steel electrowelde

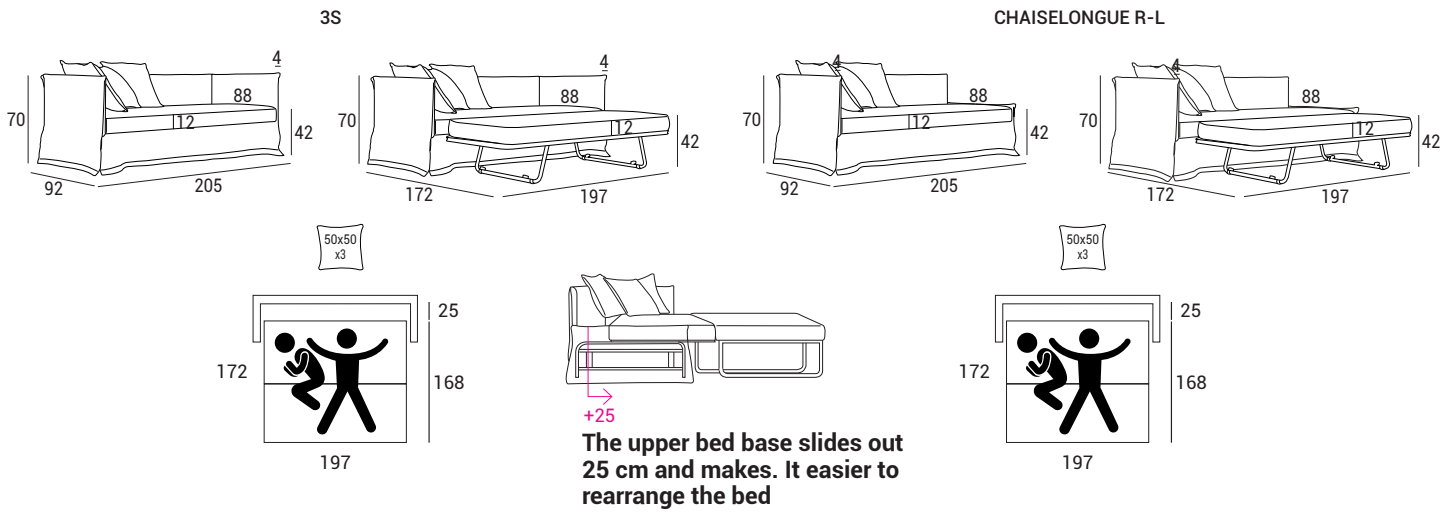
- opening mechanism with removable quick opening system;
- 5- fire retardant or standard polyurethane mattress, h 12 cm, covered with antiallergic polyester lining.





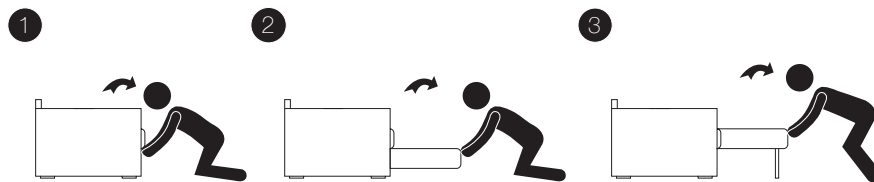
ARGO

DIMENSIONS



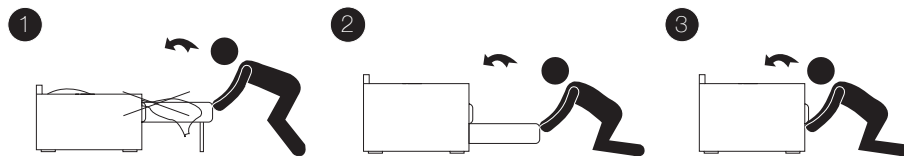
SOFA BED

Opening



Opening folding the bed incorrectly cloud damage the mechanism

Closing



REMOVE all sheet, blankets and pillows before folding the sofa back up to avoid breaking the mechanism

TECHNICAL DETAILS

			fabric mtl H 140 cm	leather m ²
3S DOUBLE	80	1.36	11.00	20.46
3S SINGLE	75	1.36	11.00	20.46
CHAISLONGUE R-L DOUBLE	76	1.36	11.00	20.46
CHAISLONGUE R-L SINGLE	70	1.36	11.00	20.46

PHOTO GALLERY



Argo sofa



Argo chaiselongue L