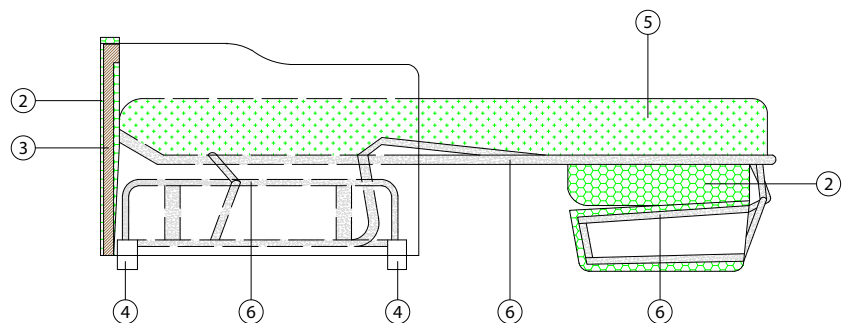
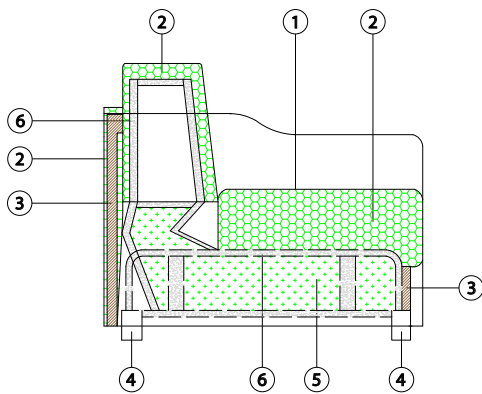




ELEKTRA



As a bed, Elektra is as comfortable and restful as a traditional bed and can easily replace one. The 18 cm high mattress is placed on an electrowelded metal mesh base and framed inside a reinforced mechanism suitable for frequent usage.



- 1- fabric/leather;
- 2- high resiliency polyurethane foam of different densities and dacron® fiber 100 gr layer;
- 3- structural frame in composite wood;
- 4- stained wooden feet P 59, 4.5 cm;

- 5- fire retardant or standard polyurethane mattress, h 18 cm, covered with antiallergic polyester lining;
- 6- high-resistance steel electrowelde mesh, with two-fold mechanism, which operates though traction from the backrest.



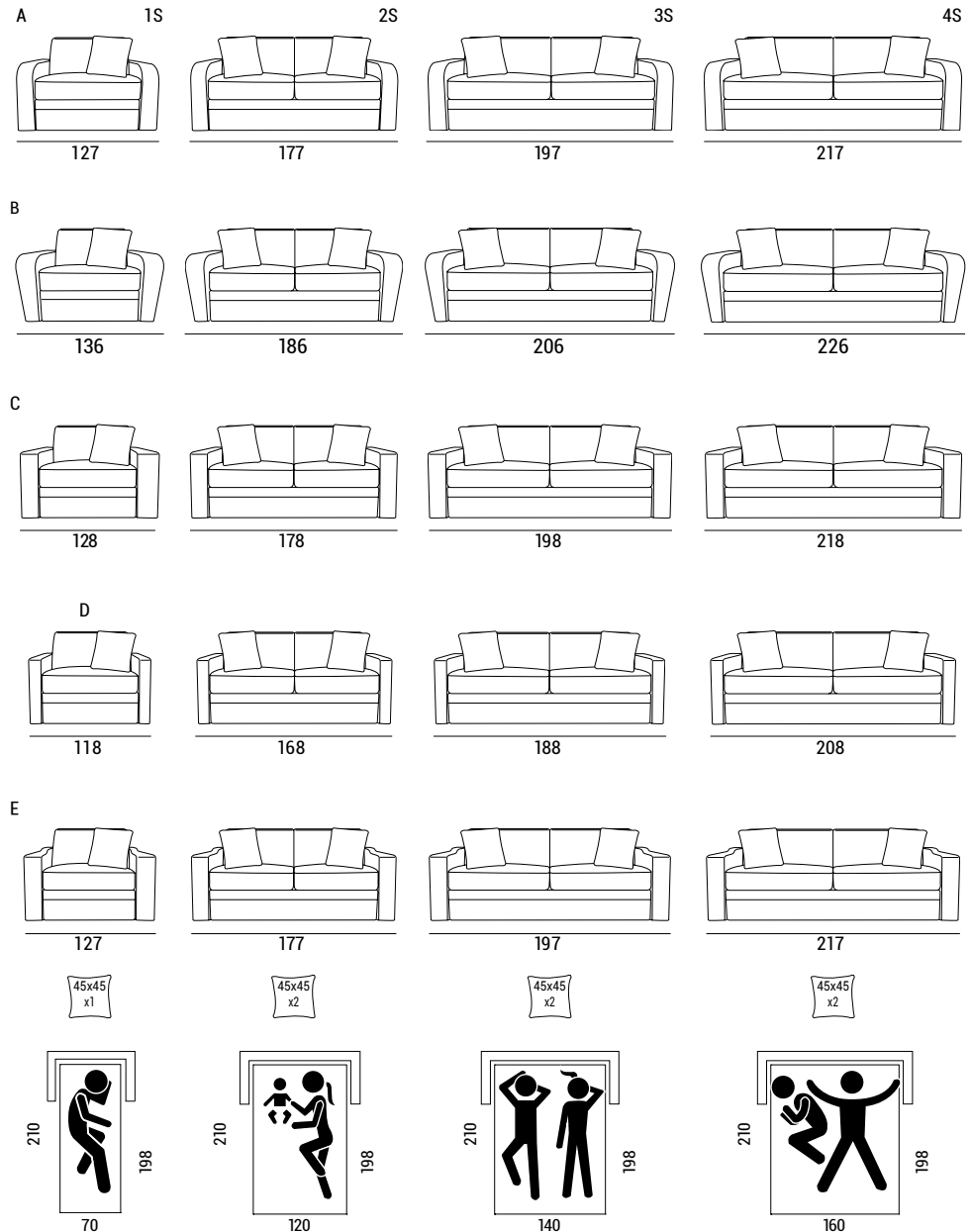
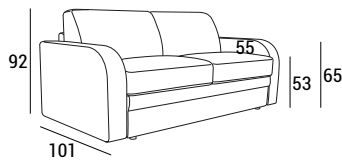
ELEKTRA

ARMRESTS



A W 18 CM B W 22 CM C W 18 CM D W 13 CM E W 18 CM

DIMENSIONS



FEET



P 59

WOODEN FEET

Standard



10 Wengè

Optional



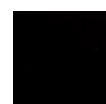
01 Natural



04 Light walnut



05 Walnut



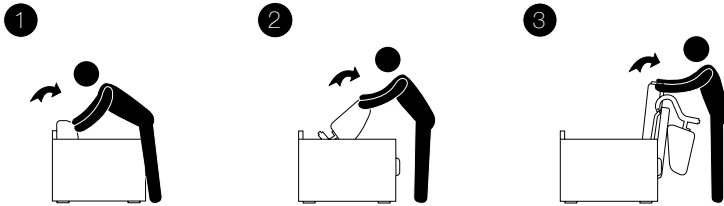
07/20 Black



ELEKTRA

SOFA BED

Opening







Opening folding the bed incorrectly could damage the mechanism

Closing



REMOVE all sheet, blankets and pillows before folding the sofa back up to avoid breaking the mechanism

TECHNICAL DETAILS

			 fabric mtl H 140 cm	 leather m ²
A 1S	82	1.21	7.50	13.95
A 2S	100	1.69	9.50	17.67
A 3S	112	1.88	10.50	19.53
A 4S	128	2.07	12.50	23.25
B 1S	82	1.30	7.50	13.95
B 2S	100	1.77	9.50	17.67
B 3S	112	1.96	10.50	19.53
B 4S	128	2.15	12.50	23.25
C 1S	82	1.25	7.50	13.95
C 2S	100	1.66	9.50	17.67
C 3S	112	1.85	10.50	19.53
C 4S	128	2.04	12.50	23.25
D 1S	82	1.22	7.50	13.95
D 2S	100	1.70	9.50	17.67
D 3S	112	1.89	10.50	19.53
D 4S	128	2.08	12.50	23.25
E 1S	82	1.21	7.50	13.95
E 2S	100	1.69	9.50	17.67
E 3S	112	1.88	10.50	19.53
E 4S	128	2.07	12.50	23.25