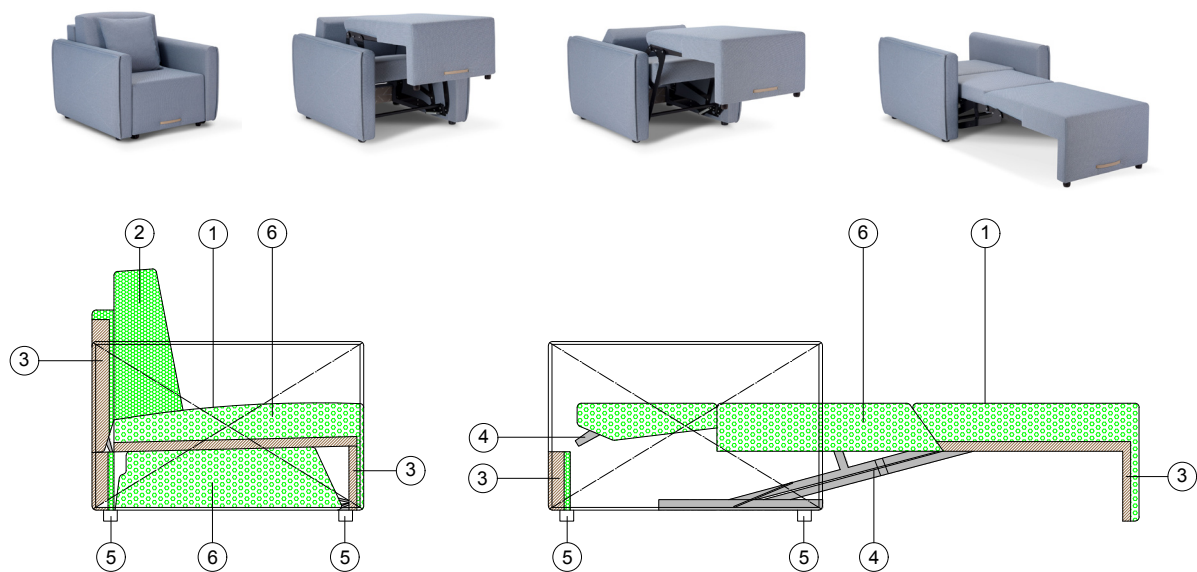


ETTORE



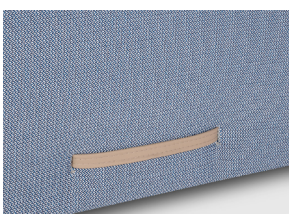
The Ettore sofa bed series is equipped with a sliding mechanism, operated by the handles placed under the seat. The sleeping surface that slides out is as large as that of a traditional bed. The easiness with which the sofa can be turned into bed, and vice versa, makes it extremely effective for any accommodation facility.



- 1- fabric/leather;
- 2- high resiliency polyurethane foam of different densities and fibra di dacron® 100 gr layer;
- 3- structural frame in composite wood;
- 4- high-resistance steel electrowelde

- opening mechanism with removable quick opening system;
- 5- stained wooden feet P 59, 4.5 cm;
- 6- fire retardant or standard polyurethane mattress, h 17.5 cm, covered with antiallergic polyester lining.

HANDLE DETAIL



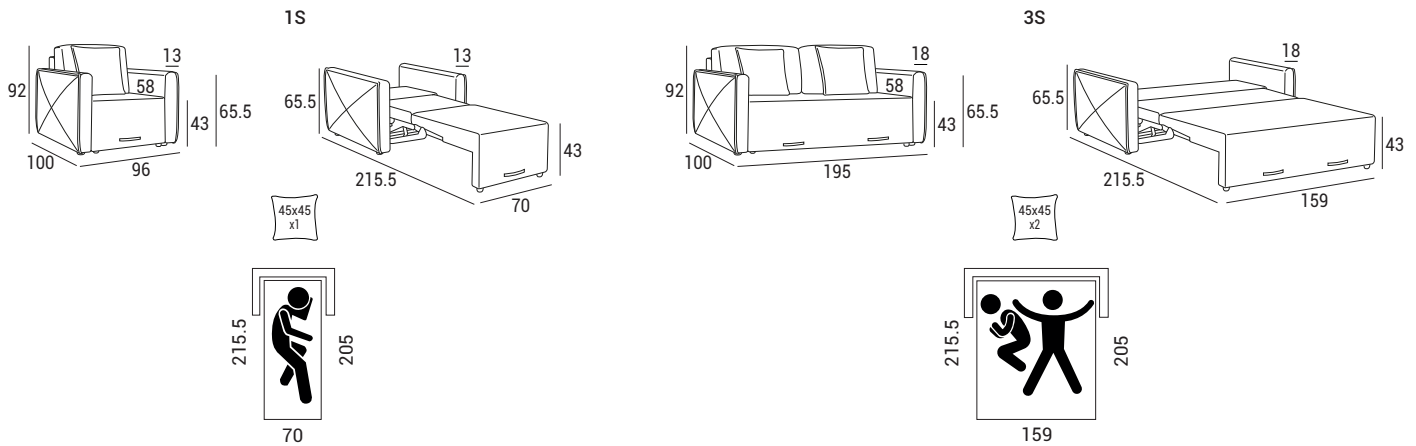
The handle that turns the sofa into a bed becomes a smart stylish detail.



ETTORE

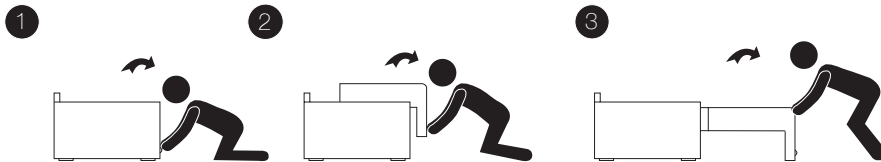


DIMENSIONS



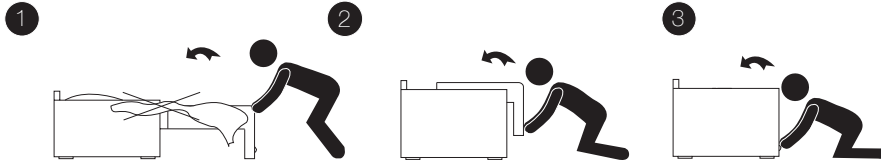
SOFA BED

Opening



Opening folding the bed incorrectly could damage the mechanism

Closing



REMOVE all sheet, blankets and pillows before folding the sofa back up to avoid breaking the mechanism

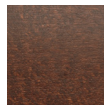
PIEDI

PIEDI LEGNO



P 59

Standard

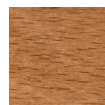


10
Wengè

Optional



01
Natural



04
Light walnut





05
Walnut



07/20
Black

TECHNICAL DETAILS

			 fabric mtl H 140 cm	 leather m ²
1S	52	0.91	7.50	13.95
3S	85	1.84	11.50	21.39

ETTORE



PHOTO GALLERY



Ettore armchair



Ettore sofa